

# Vertical A.S.M.E. Tanks

57 and 119 wg

## Our **GREEN MISSION** for Less Emissions

Our new **T-Latch** replaceable locking system feature provides additional protection against adverse conditions.

- Innovative plastic lid with removable/replaceable locking latch
- Redesigned work space to incorporate a larger regulator
- D.O.T. 173.315 (j) permits A.S.M.E. containers to be filled for transportation
- Re-certification not required as compared with D.O.T. 4BW cylinders
- Heavy duty bottom foot ring
- Fabricated to the latest A.S.M.E. Code, Section VIII, Division 1
- Registered with The National Board
- Registered with CRN (Canadian Registration Number)
- ① #72 liquid level outage valve orifice reduces refueling emissions
- ① Vacuum pre-purged to save time, money and product
- ① Our durable powder coating is a green alternative to conventional painting that creates almost no VOC emissions, toxic sludge and emits very little waste.



**T-Latch** replaceable locking lid



CONTAINING Our World's Energy™



[www.trinitycontainers.com](http://www.trinitycontainers.com)

Toll Free 888-558-8265

Fax 214-589-8553

# TRINITY CONTAINERS VERTICAL TANK

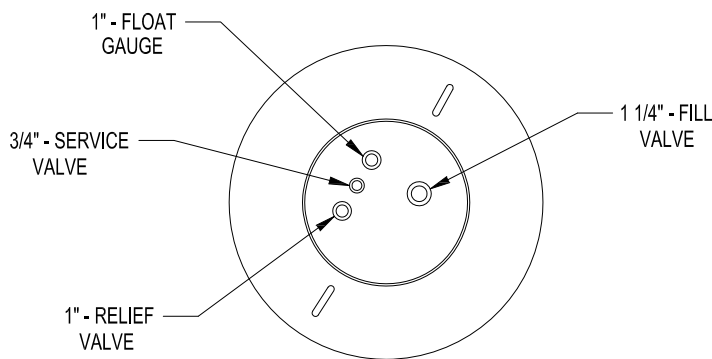
## General Specifications

Conforms to the latest edition and addenda of the ASME code for Pressure Vessels, Section VIII Division I. Complies with NFPA 58.

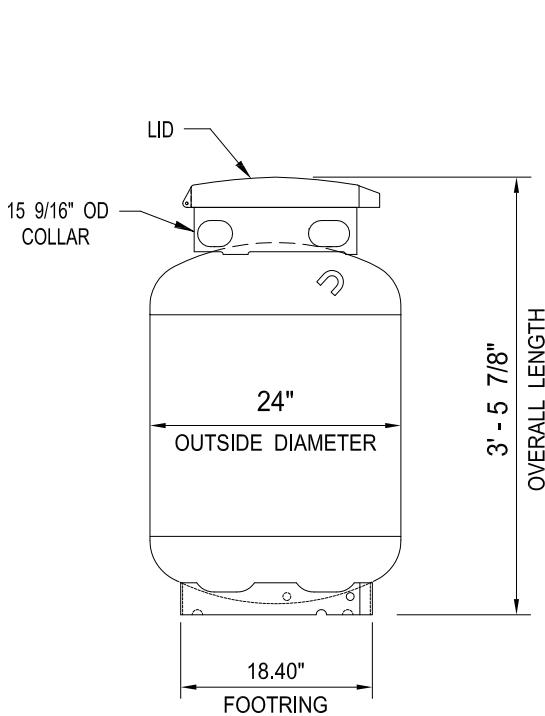
Rated at 250 psig MAWP from -20° F. to 125° F. All tanks may be evacuated for a full (14.7 psi) vacuum.

Vessels are delivered with pre-purge vacuum that is in compliance with the National Propane Gas Association #133-89(a) Alternative Purge.

Vessel finish: Coated with TGIC powder.



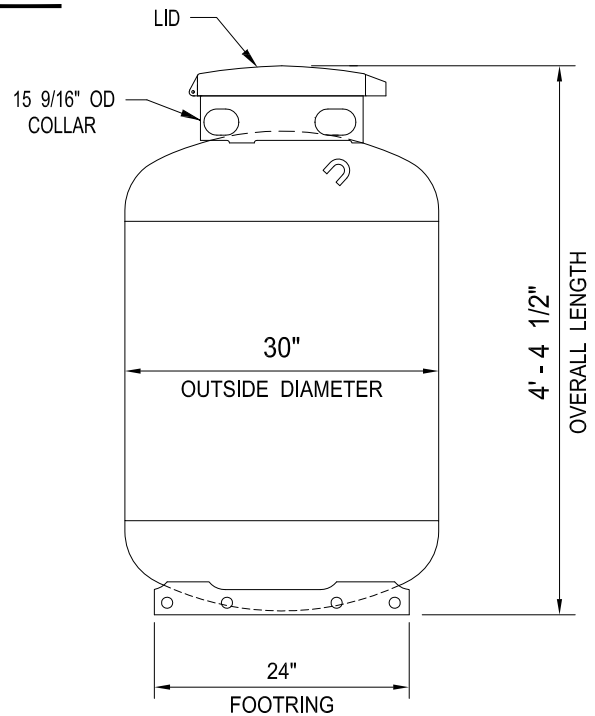
## FITTINGS LAYOUT



### 24" OD (57 WG)

Est. weight: 268 lbs.

Quantity in Full Load: 208



### 30" OD (119 WG)

Est. weight: 320 lbs.

Quantity in Full Load: 99