

TRINITY CONTAINERS VERTICAL TANK

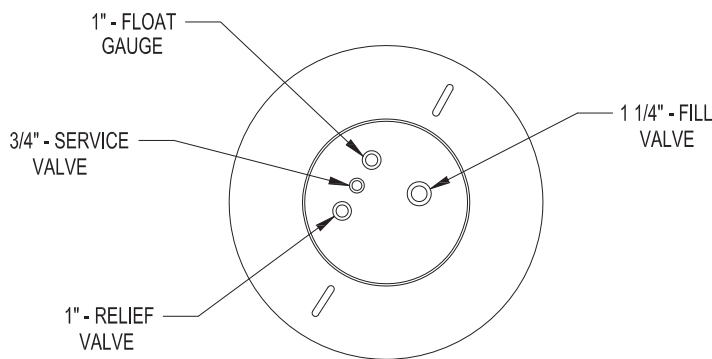
General Specifications

Conforms to the latest edition and addenda of the ASME code for Pressure Vessels, Section VIII Division I. Complies with NFPA 58.

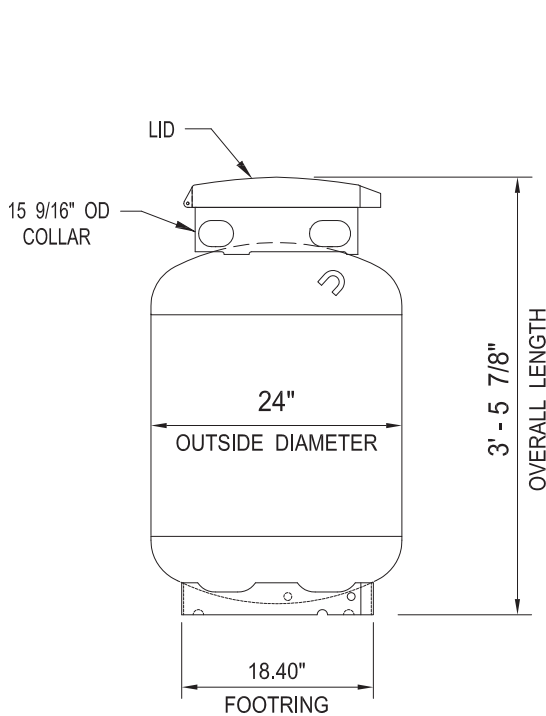
Rated at 250 psig MAWP from -20° F. to 125° F. All tanks may be evacuated for a full (14.7 psi) vacuum.

Vessels are delivered with pre-purge vacuum that is in compliance with the National Propane Gas Association #133-89(a) Alternative Purge.

Vessel finish: Coated with TGIC powder.



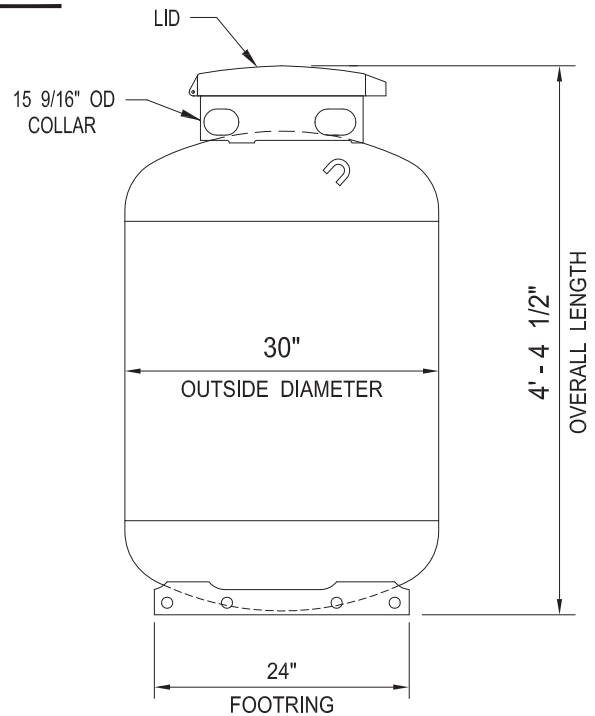
FITTINGS LAYOUT



24" OD (57 WG)

Est. weight: 268 lbs.

Quantity in Full Load: 208



30" OD (119 WG)

Est. weight: 320 lbs.

Quantity in Full Load: 99