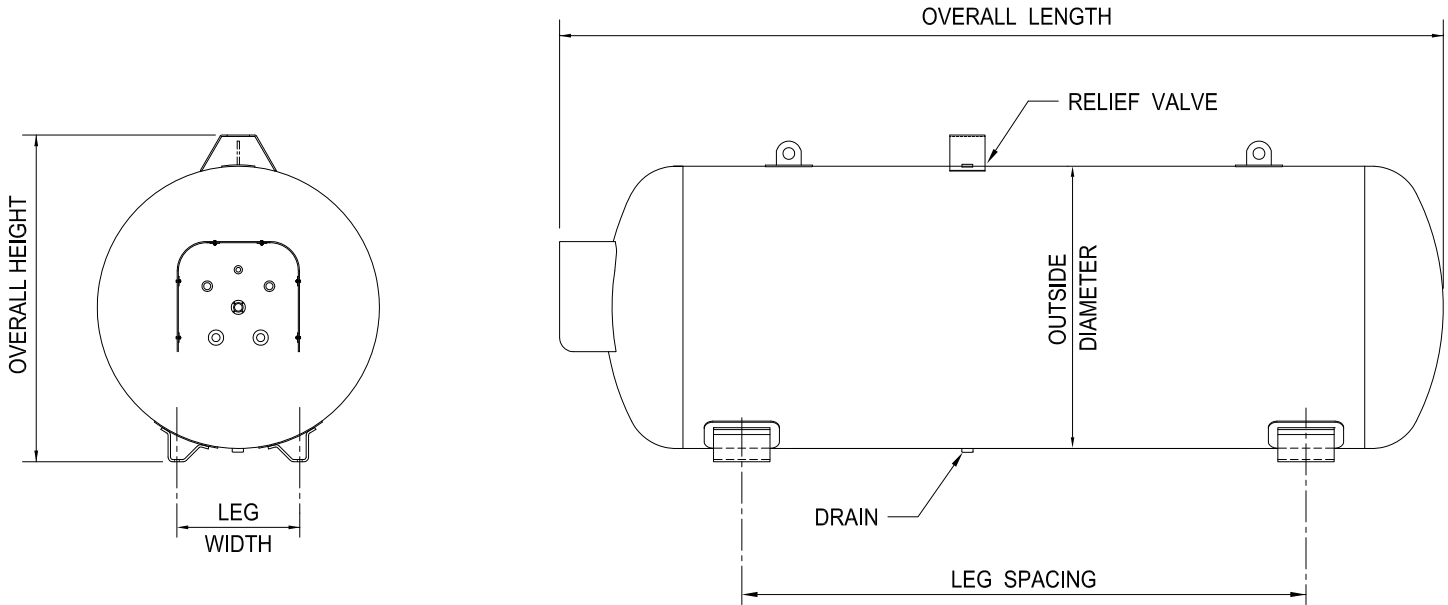


TRINITY CONTAINERS NH3 NURSE TANK

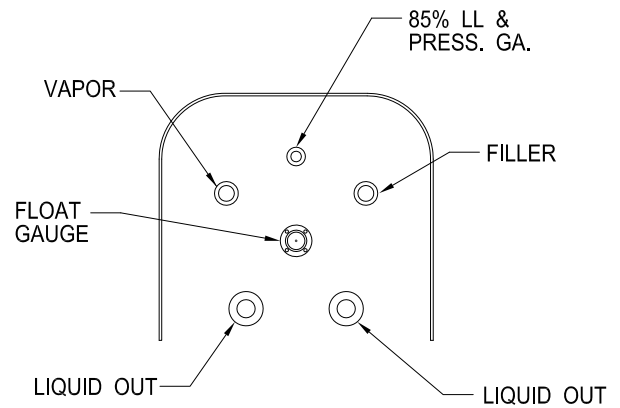


General Specifications

Conforms to the latest edition and addenda of the ASME code for Pressure Vessels, Section VIII, Division 1. Complies with ANSI K61.1-1999

Rated at 250 psig from -20° F. to 125° F.

Vessel is externally blasted per SSPC-SP6 and externally coated with (white) Carboline Carbothane 8845 DTM Aliphatic Acrylic Polyurethane.



FITTING LAYOUT UNDER FITTING COVER

NH3 NURSE TANK DIMENSIONAL INFORMATION

All vessels dimensions are approximate

WATER CAPACITY	OUTSIDE DIAMETER	HEAD TYPE	OVERALL LENGTH	OVERALL HEIGHT	LEG WIDTH	LEG SPACING	WEIGHT	QUANTITY IN FULL LOAD
2000 wg. 7570.0 L	60" 1524 mm	Ellip	15' - 7 15/16" 4773.6 mm	5' - 9 1/2" 1765.3 mm	26 1/8" 663.5 mm	10' - 0" 3060.7 mm	4965 lbs. 2252.1 kg	3