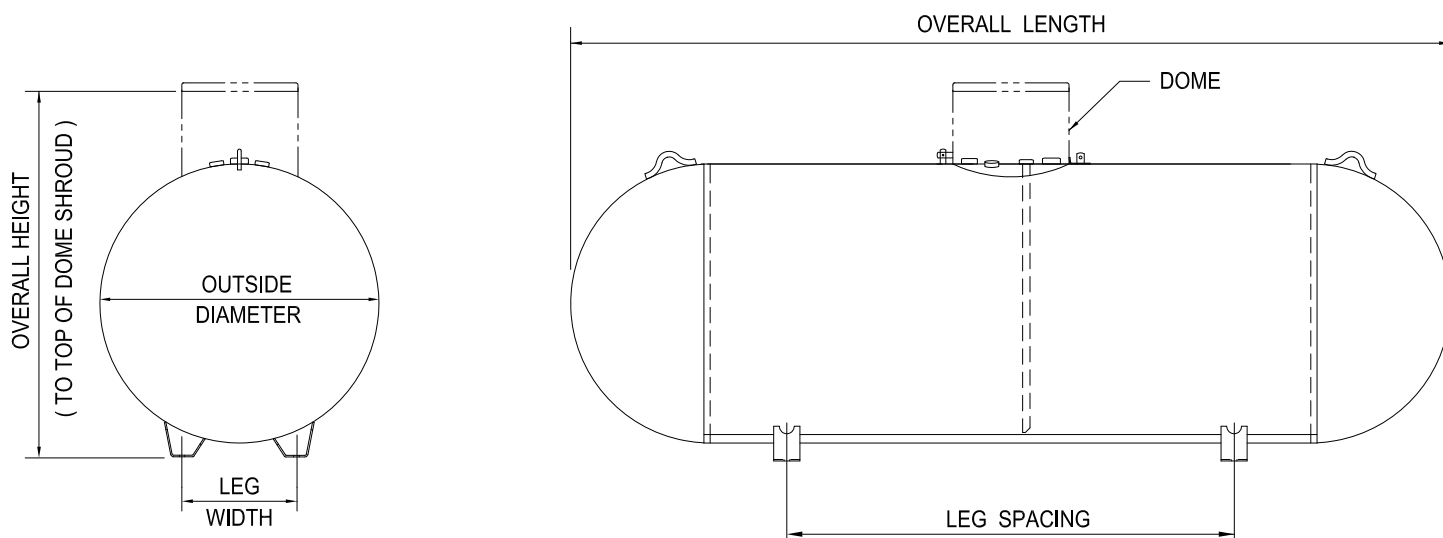


TRINITY CONTAINERS AGUG DOMESTIC TANKS



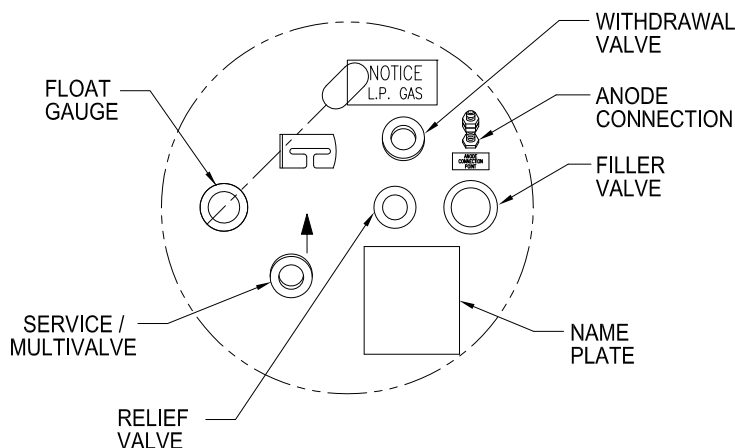
General Specifications

Conforms to the latest edition and addenda of the ASME code for Pressure Vessels, Section VIII, Division 1. Complies with NFPA 58.

Rated at 250 psig from -20° F. to 125° F. All tanks may be evacuated to a full (14.7 psi) vacuum.

Vessel Finish: Coated with epoxy red powder. (Tanks coated with the epoxy powder must be buried). For Aboveground use, tanks may be coated with TGIC powder.

Applicable federal, state or local regulations may contain specific requirements for protective coatings and cathodic protection. The purchaser and installer are responsible for compliance with all federal, state or local regulations.



FITTINGS LAYOUT UNDER DOME

AGUG VESSEL DIMENSIONAL INFORMATION

All vessels dimensions are approximate

WATER CAPACITY	OUTSIDE DIAMETER	HEAD TYPE	OVERALL LENGTH	OVERALL HEIGHT	LEG WIDTH	LEG SPACING	WEIGHT	QUANTITY	
								FULL LOAD	PER STACK
120 wg. 454.2 L	24" 609.6 mm	Ellip	5' - 5 13/16" 1671.3mm	3' - 0" 911.4 mm	10 1/8" 257.2 mm	3' - 0" 914.4 mm	245 lbs. 111.1 kg.	96	12
250 wg. 946.3 L	31.5" 800.1 mm	Hemi	7' - 2 1/2" 2197.1 mm	3' - 7 1/2" 1104.9 mm	12 3/4" 323.9 mm	3' - 6" 1066.8 mm	472 lbs. 214.1 kg.	63	9
320 wg. 1211.2 L	31.5" 800.1 mm	Hemi	8' - 11 3/4" 2736.9 mm	3' - 7 1/2" 1104.9 mm	12 3/4" 323.9 mm	4' - 0 1/4" 1225.6 mm	588 lbs. 266.7 kg.	45	9
500 wg. 1892.5 L	37.42" 950.5 mm	Hemi	9' - 10" 2997.2 mm	4' - 1 7/16" 1255.7 mm	15" 381.0 mm	5' - 0" 1524.0 mm	871 lbs. 395.1 kg	30	6
1000 wg. 3785.0 L	40.96" 1040.4 mm	Hemi	15' - 10 13/16" 4846.6 mm	4' - 4 5/16" 1344.6 mm	16 1/4" 412.8 mm	9' - 0" 2743.2 mm	1729 lbs. 784.3 kg	15	5